



September 4, 2007

IEEE Region 8 Director's report

Bucharest Region 8 Committee meeting, Oct. 2007

Jean-Gabriel REMY, Region 8 Director

This presentation

- **Describes the new Region 8 issues**
- **Lists the Region 8 priorities for 2007 - 2008**
- **Develops an Action plan for conferences**
- **Describes Other actions**

Agenda

- **Introduction**
- **June 2007 IEEE BoD highlights**
- **IEEE Geographical organisations**
- **Finances**
- **Russia registration and IEEE subsidiary for European Union**
- **August 2007 RAB extraordinary meeting**
- **IEEE VPs' visit to Region 8**
- **Region 8 priority achievements and short term challenges**

Region 8 Description in 2007

Region 8 Boundaries

According to Bylaws:

- Region 8 shall consist of Africa, Europe, Greenland, Iceland, the countries of the former USSR and the near and middle east countries located west of Afghanistan and Pakistan.
- The boundaries may not be changed without the agreement of the Regional Committee and the approval of RAB.

Region 8 Numbers/Metrics

Membership in the range of 56,000 to 65,000.

Western Europe (10 sections) counts for >60%.

Sections number is 51.

Region 8 Operation Committee for 2007

Operating Committee (OpCom) Members

According to Bylaws:

- * Director (2 years term)
- * Director Elect (change in the term in 2008)
- * Past-Director, Chair N&A, V/C Strategic Planning (2 years term)
- * Secretary (same term as Director)
- * Treasurer (same term as Director)
- * V/C Technical Activities, VC TA (1 year term)
- * V/C Membership Activities, VC MA (1 year term)
- * V/C Student Activities, VC SA (1 year term)

Region 8 Operation Committee for 2007 and 2008

Functioning Principles

- Reduced number of officers.
 - Region 8 VCs to be responsible for their budget/actions.
 - Keep a balanced budget is a priority
- Reduced number of sub-committees.
- Sections to develop and manage most actions (e.g. Industry Relations).
- Priority given to Electronic Communications.

Charter

Take a fresh look at the functions and processes of Region 8, in comparison with the larger IEEE.

Make recommendations for the most effective and efficient organization and processes to be implemented in sections.

This will aim at developing membership in Region 8 as a principle goal and challenge.

Region 8 Committee for 2007 and 2008

Region 8 Committee Meetings

Up to now, R8C meets twice a year, which has a major impact on its budget allocation. This is considered a priority.

Spring R8C meeting will take place in Saint Julian (Malta) on April 26th and 27th, 2008.

Autumn R8C meeting is will take place in Quebec (Canada), due to Section Congress, in September 2008.

Decision on meeting location should incur 2 years in advance for managing the contracts

Region 8 bases of action

The purposes of Region 8 action are:

- **to share best practices between the Sections of Region 8;**
- **to assist the Section Chairs in the good management of their Sections;**
- **to organise and promote events and activities for the benefit of the IEEE members in Region 8;**
 - **For example, the Region 8 Committee oversees the organisation of the conferences EUROCON, MELECON, AFRICON, and from 2008 on the new SIBIRCON aimed at Central Asia, which are held regularly and offer a low-cost type of event different from the conferences typically organised by IEEE Societies, Sections or Chapters.**
- **to finance the preparation and distribution of R8 News to all the members in Region 8.**

Agenda

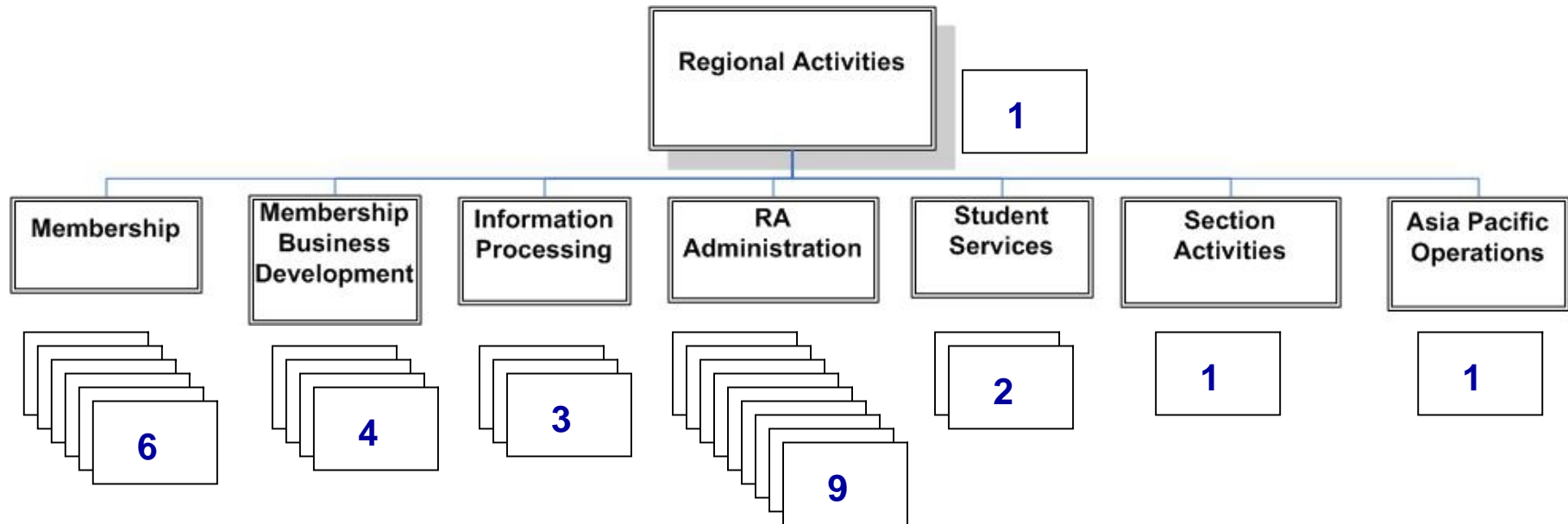
- Introduction
- **June 2007 IEEE BoD highlights**
- IEEE Geographical organisations
- Finances
- Russia registration and IEEE subsidiary for European Union
- August 2007 RAB extraordinary meeting
- IEEE VPs' visit to Region 8
- Region 8 priority achievements and short term challenges

June 2007 IEEE BoD highlights

- **Creation of Member and Geographic Activities Board**
 - Replaces RAB (Regional Activities Board)
- **Alternative Membership Models**
- **IEEE long term strategic planning**
- **New Initiative financing: 2 different processes**
 - Regular process for projects over \$ 100,000
 - Simplified procedure for projects under \$ 25,000
- **Creation of IEEE offices, e.g. in China**

IEEE Member and Geographic Activities

Regional Activities Organization



IEEE Member and Geographic Activities

Member and Geographic Activities Organization

Member &
Geographic
Activities

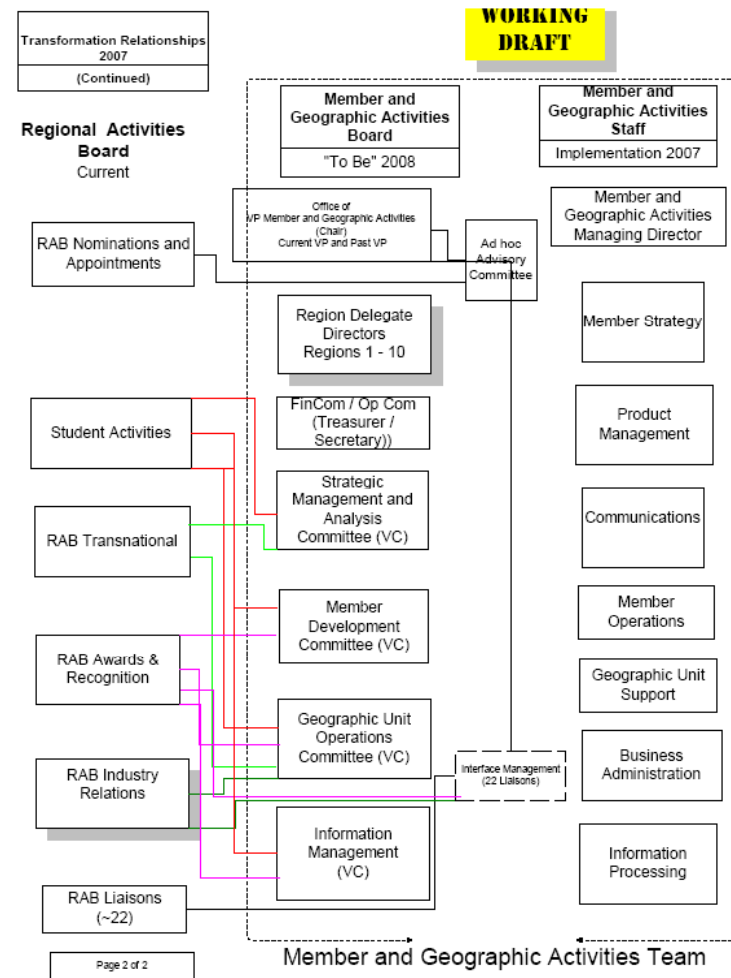
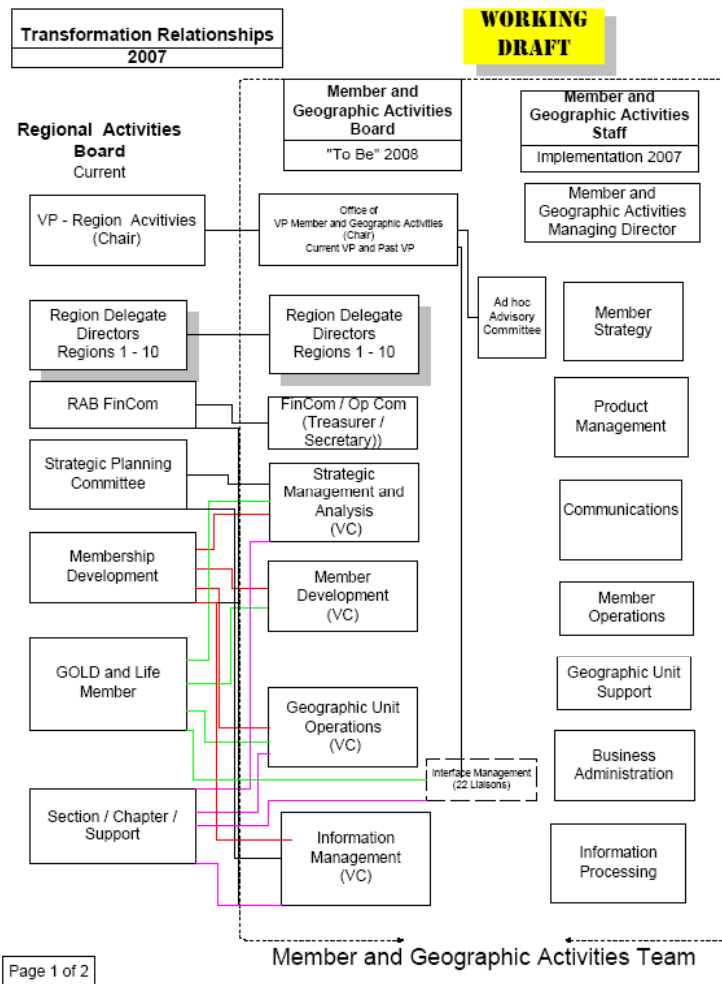
1

Member Strategy and Operations

MGA Operations

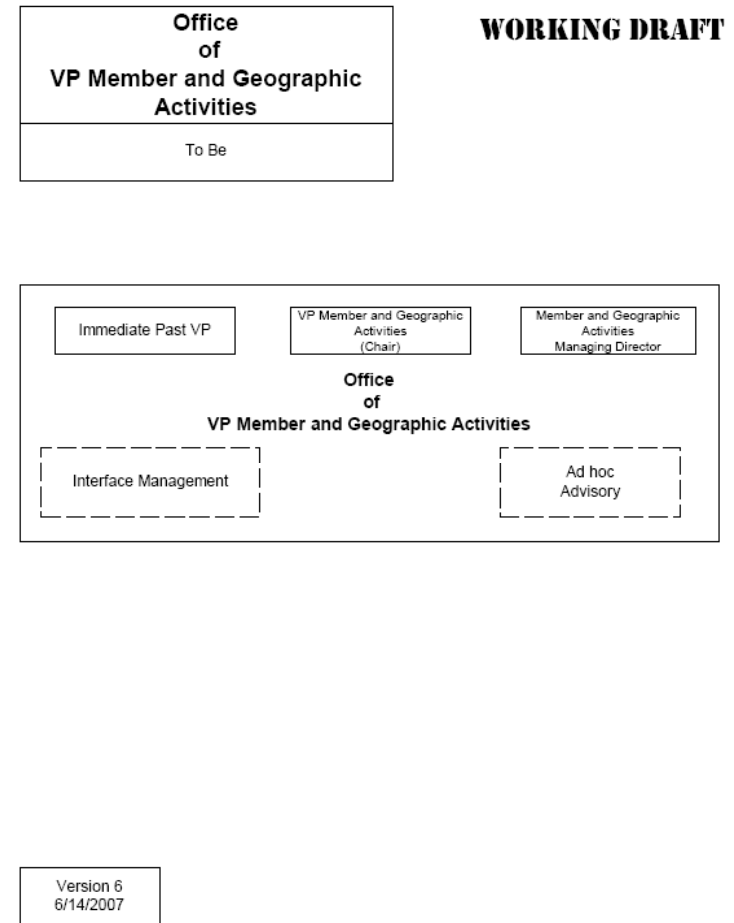
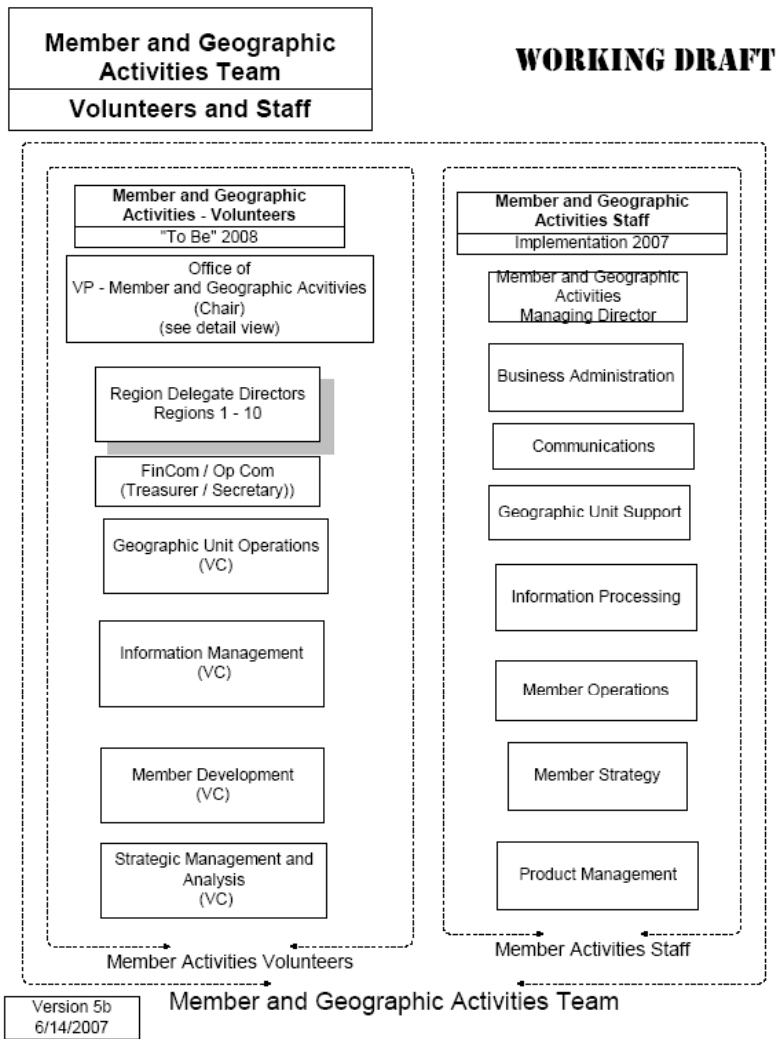
IEEE Member and Geographic Activities

Member and Geographic Activities Team



IEEE Member and Geographic Activities

Member and Geographic Activities Team



Agenda

- Introduction
- June 2007 IEEE BoD highlights
- **IEEE Geographical organisations**
- Finances
- Russia registration and IEEE subsidiary for European Union
- August 2007 RAB extraordinary meeting
- IEEE VPs' visit to Region 8
- Region 8 priority achievements and short term challenges

IEEE Geographical organisations

- **IEEE Headquarters work on a new distribution of the sections**
- **IEEE Regions show a wide variety of size**
 - **By overall number of members from all categories**
 - **By number of members over student grade**
 - **By number of sections**
- **The idea is to reduce the number of sections in a Region**
 - **As a consequence, the number of Regions would increase from 10 to some 18**
 - **Those new Regions could be under only 10 “delegate directors”**
- **This project has been defeated in the August 26th meeting in Newark**

IEEE Geographical organisations

Current Regions	# of Sections	HG Members (12/31/06)	Student Members (12/31/06)	Total Members (12/31/06)	% HG Members	% Student Members	HG per Section (12/31/06)
1	22	34,430	4,187	38,617	89.2%	10.8%	1,565
2	20	29,293	3,761	33,054	88.6%	11.4%	1,465
3	41	25,848	4,767	30,615	84.4%	15.6%	630
4	23	20,096	3,886	23,982	83.8%	16.2%	874
5	24	25,408	4,036	29,444	86.3%	13.7%	1,059
6	35	53,670	6,469	60,139	89.2%	10.8%	1,533
7	20	12,433	3,587	16,020	77.6%	22.4%	622
8	51	44,417	16,439	60,856	73.0%	27.0%	871
9	32	7,345	7,253	14,598	50.3%	49.7%	230
10	55	41,336	26,106	67,442	61.3%	38.7%	752

IEEE Geographical organisations (projected)

Proposed New Region	# of Sections	HG Members (12/31/06)	Student Members (12/31/06)	Total Members (12/31/06)	% HG Members	% Student Members	HG per Section (12/31/06)	# of Chapters (12/31/06)
1	20	32,230	4,039	36,269	88.86%	11.14%	1,612	146
2	20	29,673	3,602	33,275	89.18%	10.82%	1,484	121
3n	19	10,418	2,034	12,452	83.67%	16.33%	548	40
3s	22	15,430	2,733	18,163	84.95%	15.05%	701	62
4	18	18,475	3,471	21,946	84.18%	15.82%	1,026	79
4a	15	14,022	2,379	16,401	85.49%	14.51%	935	62
5	16	15,925	2,693	18,618	85.54%	14.46%	995	69
6n	17	12,717	2,021	14,738	86.29%	13.71%	748	47
6s	18	40,953	4,723	45,676	89.66%	10.34%	2,275	115
7	20	12,433	3,587	16,020	77.61%	22.39%	622	103
8e	15	4,121	1,384	5,505	74.86%	25.14%	275	132
8s	16	5,342	4,330	9,786	54.59%	44.25%	334	48
8w	20	33,952	10,380	44,332	76.59%	23.41%	1,698	232
9n	18	3,419	3,093	6,512	52.50%	47.50%	190	63
9s	14	3,885	4,157	8,042	48.31%	51.69%	278	78
10e	21	15,248	6,033	21,341	71.45%	28.27%	726	158
10s	19	19,286	4,057	23,343	82.62%	17.38%	1,015	105
10w	15	8,163	17,334	25,497	32.02%	67.98%	544	60
323		295,692	82,050	377,916	78.24%	21.71%	915	1,720

IEEE Geographical organisations (projected Region 8e)

BELARUS	8e	Belarus	62	14	76	81.58%	18.42%	5
BOSNIA & HERZEGOVINA	8e	Bosnia & Herzegovina	98	153	251	39.04%	60.96%	0
BULGARIA	8e	Bulgaria	204	54	258	79.07%	20.93%	9
CROATIA	8e	Croatia	356	242	598	59.53%	40.47%	16
CZECHOSLOVAKIA	8e	Czech Republic	402	110	512	78.52%	21.48%	6
ESTONIA	8e	Estonia	62	13	75	82.67%	17.33%	1
LITHUANIA	8e	Lithuania	78	17	95	82.11%	17.89%	2
POLAND	8e	Poland	628	166	794	79.09%	20.91%	19
ROMANIA	8e	Romania	579	125	704	82.24%	17.76%	15
RUSSIA	8e	Russia	423	66	489	86.50%	13.50%	16
RUSSIA NORTH WEST	8e	Russia	152	44	196	77.55%	22.45%	9
RUSSIA SIBERIA	8e	Russia	172	90	262	65.65%	34.35%	10
SLOVENIA	8e	Slovenia	273	64	337	81.01%	18.99%	6
UKRAINE	8e	Ukraine	282	78	360	78.33%	21.67%	9
SERBIA & MONTENEGRO	8e	Serbia, Montenegro	350	148	498	70.28%	29.72%	9
Total Number of Sections	15		4,121	1,384	5,505	74.86%	25.14%	132

IEEE Geographical organisations (projected Region 8s)

BAHRAIN	8s	Bahrain	76	9	85	89.41%	10.59%	1
EGYPT	8s	Egypt	519	942	1,461	35.52%	64.48%	8
IRAN	8s	Iran	274	307	581	47.16%	52.84%	
ISRAEL	8s	Israel	1,187	176	1,363	87.09%	12.91%	17
JORDAN	8s	Jordan	178	486	664	26.81%	73.19%	2
KENYA	8s	Kenya	61	9	70	87.14%	12.86%	0
KUWAIT	8s	Kuwait	131	23	154	85.06%	14.94%	0
LEBANON	8s	Lebanon	287	593	880	32.61%	67.39%	2
MOROCCO	8s	Morocco	39	63	102	38.24%	61.76%	0
NIGERIA	8s	Nigeria	636	560	1,196	53.18%	46.82%	2
OMAN	8s	Oman			114			Formed Feb 2007
QATAR	8s	Qatar	102	44	146	69.86%	30.14%	0
SAUDI ARABIA	8s	Saudi Arabia	674	196	870	77.47%	22.53%	7
SOUTH AFRICA	8s	South Africa	570	183	753	75.70%	24.30%	9
UNITED ARAB EMIRATES	8s	United Arab Emirates	608	739	1,347	45.14%	54.86%	0
WESTERN SAUDI ARABIA	8s	Saudi Arabia						
Total Number of Sections	16		5,342	4,330	9,786	54.59%	44.25%	48

IEEE Geographical organisations (projected Region 8w)

AUSTRIA	8w	Austria	771	225	996	77.41%	22.59%	4
BENELUX	8w	Belgium, Luxembourg, Netherlands	2,337	707	3,044	76.77%	23.23%	17
CYPRUS	8w	Cyprus	134	48	182	73.63%	26.37%	2
DENMARK	8w	Denmark, Greenland	551	161	712	77.39%	22.61%	7
FINLAND	8w	Finland	717	231	948	75.63%	24.37%	10
FRANCE	8w	France	2,651	536	3,187	83.18%	16.82%	23
GERMANY	8w	Germany	4,977	1,249	6,226	79.94%	20.06%	21
GREECE	8w	Greece	1,296	655	1,951	66.43%	33.57%	13
HUNGARY	8w	Hungary	279	79	358	77.93%	22.07%	10
ICELAND	8w	Iceland	73	64	137	53.28%	46.72%	2
ITALY	8w	Italy	3,324	739	4,063	81.81%	18.19%	28
MALTA	8w	Malta	97	61	158	61.39%	38.61%	
NORWAY	8w	Norway	810	96	906	89.40%	10.60%	2
PORTUGAL	8w	Portugal	716	225	941	76.09%	23.91%	2
REPUBLIC OF MACEDONIA	8w	Republic of Macedonia	95	72	167	56.89%	43.11%	6
SPAIN	8w	Spain	2,493	1,002	3,495	71.33%	28.67%	20
SWEDEN	8w	Sweden	1,455	391	1,846	78.82%	21.18%	13
SWITZERLAND	8w	Switzerland	2,168	332	2,500	86.72%	13.28%	11
TURKEY	8w	Turkey	804	1,300	2,104	38.21%	61.79%	14
UNITED KINGDOM & REP OF IRELAND	8w	United Kingdom, Ireland	8,204	2,207	10,411	78.80%	21.20%	27
Total Number of Sections	20		33,952	10,380	44,332	76.59%	23.41%	232

Agenda

- Introduction
- June 2007 IEEE BoD highlights
- IEEE Geographical organisations
- Finances
- Russia registration and IEEE subsidiary for European Union
- August 2007 RAB extraordinary meeting
- IEEE VPs' visit to Region 8
- Region 8 priority achievements and short term challenges

Finances

- **The Region 8 rebate calculation formula will not change for 2008**
 - **Issue with the change rate from dollar to euro: minus 35% in 5 years**
 - **Issues with exceptional expenses:**
 - **In 2008, Section Congress and associated R8C meeting**
 - **Student branch congress possibly in UK**
- **→ A proposal has been raised to reduce the number of R8C meeting from 2 per year to 1 per year**

Agenda

- Introduction
- June 2007 IEEE BoD highlights
- IEEE Geographical organisations
- Finances
- **Russia registration and IEEE subsidiary for European Union**
- August 2007 RAB extraordinary meeting
- IEEE VPs' visit to Region 8
- Region 8 priority achievements and short term challenges

Russia registration and IEEE subsidiary for European Union

-In July 2007, IEEE President traveled to Moscow, accompanied by high staff executive, in order to finalize the settlement of an IEEE representation in Russia

-Prior, IEEE Headquarters have created a subsidiary in the USA in order to manage financial issues in the European Union, such as VAT

Agenda

- Introduction
- June 2007 IEEE BoD highlights
- IEEE Geographical organisations
- Finances
- Russia registration and IEEE subsidiary for European Union
- **August 2007 RAB extraordinary meeting**
- IEEE VPs' visit to Region 8
- Region 8 priority achievements and short term challenges

August 2007 RAB extraordinary meeting

Extraordinary meeting on August 25th and 26th, 2007

→ To discuss in details the new MGAB organisation.

MGA Board

Develop and Implement Policy (Board, Committees, Staff, Interfaces...)
Perform Governance and Oversight with Vision

MGA Committees and Staff

Partnership – Design, Development, and Implementation
Shared Responsibility

Policy (Values and Principles) Driven

Operational Activities (Volunteers and Staff)

August 2007 RAB extraordinary meeting

Extraordinary meeting on August 25th and 26th, 2007

→ To discuss in details the new MGAB organisation.

- (1) VP MGA
- (10) Region Delegate Directors
 - (4) Vice Chairs
 - Member Development
 - Information Management
 - Geographic Unit Operations
 - Strategic Management and Analysis
- (1) Treasurer
- (1) Secretary

Primary Focus: Help the member grow and develop for themselves, for the Institute and to serve the common good throughout their life cycle and their various roles.
The Geographic Unit operation is one of the primary means to these ends.

August 2007 RAB extraordinary meeting

Extraordinary meeting on August 25th and 26th, 2007

→To discuss in details the new MGAB organisation.

Standing Committees

Nominations and Appointments
Strategic Direction and Environmental Assessment
Geographic Unit Operations Support
Member Engagement and Life Cycle
IT Coordination and Oversight
Finance and Operations Committee (FinCom/OpCom)
Sections Congress

August 2007 RAB extraordinary meeting

Extraordinary meeting on August 25th and 26th, 2007

→To discuss in details the new MGAB organisation.

Subcommittees

Communications
Electronic Communications and Geographic Unit Automation Coordinators
MGA Awards and Recognition Committee
Students
Admission and Advancement (A&A)
GOLD
Life Member
Sections Congress Program Committee
Sections Congress Local Arrangements
Pre-University

August 2007 RAB extraordinary meeting

Extraordinary meeting on August 25th and 26th, 2007

→To discuss in details the new MGAB organisation.

Ad Hoc Committees

VP Advisory
Transformation
Public, Industry, and Educational Institution Interface
IT Initiatives
Member Data Acquisition Management
MGA Policy Development and Review
Interface Management
IEEE Call Center and Development
Member Education and Training

August 2007 RAB extraordinary meeting

Extraordinary meeting on August 25th and 26th, 2007

→To discuss in details the new MGAB organisation.

Additional Potential Committees

Women in Engineering
Fellows
Consultants
The Institute
Spectrum

Agenda

- Introduction
- June 2007 IEEE BoD highlights
- IEEE Geographical organisations
- Finances
- Russia registration and IEEE subsidiary for European Union
- August 2007 RAB extraordinary meeting
- **IEEE VPs' visit to Region 8**
- Region 8 priority achievements and short term challenges

IEEE VPs' visit to Region 8

VP TAB, present and elected, VP RAB and high level staff members visited Region 8 from September 9th to September 22nd, 2007

The party traveled from Paris to Nice (Sophia Antipolis), Milano, Firenze, Roma, Lisboa and Oporto

Excellent reception from Region 8 volunteers in all stops

Agenda

- Introduction
- June 2007 IEEE BoD highlights
- IEEE Geographical organisations
- Finances
- Russia registration and IEEE subsidiary for European Union
- August 2007 RAB extraordinary meeting
- IEEE VPs' visit to Region 8
- Region 8 priority achievements and short term challenges

Region 8 priority achievements and short term challenges

Take advantage of the dual organization of IEEE:

- Technical activities, organizing conferences and editing proceedings
- Regional/membership activities

•Priority actions:

- Participate actively in the organization of IEEE Societies' Technical Conference taking place in Region 8 area of responsibility
- Ensure staffing of conferences taking place in the geographical area of Region 8 with volunteers in order to recruit new members

And also:

- Participate in Standard activities taking place in the Region's area
- Follow up of students when they graduate, e.g. by implementing IEEE jobsite in the Region with a related database

Region 8 assets for developing membership in 2007 - 2008

Region 8 has a big number of students

- This available skilled man power allows to develop prototype systems
- Students are willing to establish links with the Industry, that will provide them jobs
- For the purposes of interest for them, students offer countless volunteer hours

Region 8 is relayed locally by a number of sections

- Nearly all Industry and academic centers are in the vicinity of a section
- Section officers often owns a personal network of local VIPs
- **When IEEE Conferences take place in Region 8, there is always a local section that can contribute to the organization or benefit of the event**
- In countries where standards are developed, Region 8 will take part in the process through the sections

An initiative of Region 8 for developing membership in 2007 - 2008

Many IEEE conferences take place in Region 8

- About 50% of attendees are not IEEE
- A high percentage of these non-members say they could join IEEE
- But in nearly all cases, they are repelled by the extra paperwork necessary to apply for membership

Region 8 should resolve this issue

- **Systematically track which conferences are organized in Region 8, sorted by section**
- **Section officers to have a real presence in all of these conferences, offering to join IEEE to attendees that are not members**
- **An automatic system should be developed in order that joining IEEE will be quite easy for conferences' attendees**
 - **Either a web based procedure, taking into account payment issues**
 - **Or a local computer based system with offline retrieval to IEEE HQ**

Developing membership can only be successful at the sections' level

Sections have the knowledge of the local situation

- Region 8 is characterized by having the highest number of different languages, different cultures and different politic systems
- Therefore it seems quite difficult to offer a global solution available for all sections, except for computer/web tools
- Sections have to deal with a relatively low number of members and prospects, even if some sections count some thousands of members, and probably much more prospects

Sections can implement structures to develop membership with a segmented approach

- **Sections are invited to create as soon as possible Affinity Groups to deal with defined categories of members (and prospects)**
- **As a priority action, implementation of Industry relations Affinity Groups in all Sections of Region 8 should be effective within 1S2008**

Retaining students when they graduate

Since Region 8 counts nearly 20,000 students, retention of them is key

- Region 8 did focus its action on student membership development for years
- Most of these students are lost when they graduate, often because we lose their track
- At least in some areas, the main concern of students is to find a job

Region 8 has to take the lead in applying the IEEE jobsite in all sections

- Sections will have to contact local employers to convince them to put job offers on the site
- Students have to be made aware of the jobsite
- A database of applicants should be maintained

Better knowledge of IEEE Products and services

Most members in Region 8 are not aware of IEEE products and services, when applicable

- Region 8 members are mostly interested by publications and conferences
- Some IEEE products are specific to the US
- Sections in Region 8 must be aware of the new educational products developed by IEEE

Region 8 must take an initiative to put on its website a clear list of available IEEE Products and Services, that can be used in the Region

- **It seems that the stress put on education by IEEE is now bringing novel interesting products, that our sections should use locally**
- Other products and services subject to prior evaluation

Questions?

-
- **Region 8 Organization for 2007**

Region 8 Operating Committee (OpCom) members – (04/2007-10/2007)

- Director : *Jean-Gabriel Remy*
- Past-Director, Chair N&A, V/C Strategic Planning : *Baldomir Zajc*
- Secretary: *Christian Borgert, who left Region 8 without notice, replaced by Christine Nora*
- Treasurer: *Brian Harrington*
- V/C Technical Activities, VP TA: *George Paunovic*
- V/C Membership Activities, VP MA: *Marko Delimar*
- V/C Student Activities, VP SA: *Martin Bastiaans*

Region 8 Committee Appointed Members for 2007

Appointed members without voting privileges

- **Awards & Recognitions:** *Pr. Victor Fouad Hanna*
- **Section presentation:** *Pr. Baldomir Zajc*
- **Section Development:** Vladko Stoikov
- **Counsellor to the Director:** *Dr. Christine Nora*,
 - organises the meetings,
 - oversees strategic items and meeting behaviour,
 - acts as assistant secretary.

Region 8 Committee Appointed Members for 2007

Appointed members without voting privileges (ctnd)

- Voluntary Contribution Fund: *Dr. Christine Nora*
- Professional Activities: *Pr. Charles Turner → part of VCMA*
- History Activities: *Jacob Baal Schem → part of VCMA*
- Standards Coordinator: *David Law → part of VCTA*
- Industry Relations: *Rami Mushcab → part of VCTA*
- Student Representative: *Michael Gloeg → part of VCSA*

Region 8 Committee Assistants to Vice-chairs for 2007

V/C TA (Technical Activities)

- Chapter Coordinator: *Gerard Capolino*
- Conference Coordinator: *Francisco Sandoval*
- Educational Activities: *Charles Turner*, with assistants:
 - *Matej Zajc*
 - *Victor Fouad Hanna*, for recognised education programmes.

Region 8 Committee Assistants to Vice-chairs for 2007

V/C MA (Membership Activities)

- Editor Region 8 News: *Roland Saam*
 - *Basak Yüksel* as co-editor
- Electronic Communications: *Thomas Watteyne*
- GOLD Activities: *Pilar Molina Gaudio*
- Life Members: *Peter Hill*
- Membership Development: *Rolf Remshardt*
- Women In Engineering: *Maryam Al Thani*
- Section Branches Congress 2008: *Tony Davies*